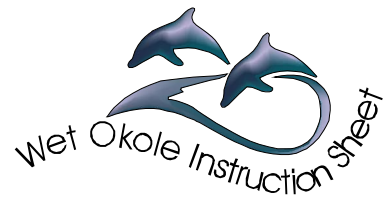




INSTRUCTION SHEET (J)

1991-97 Ford Ranger, Ford Explorer,
and Mazda B-1000/2200

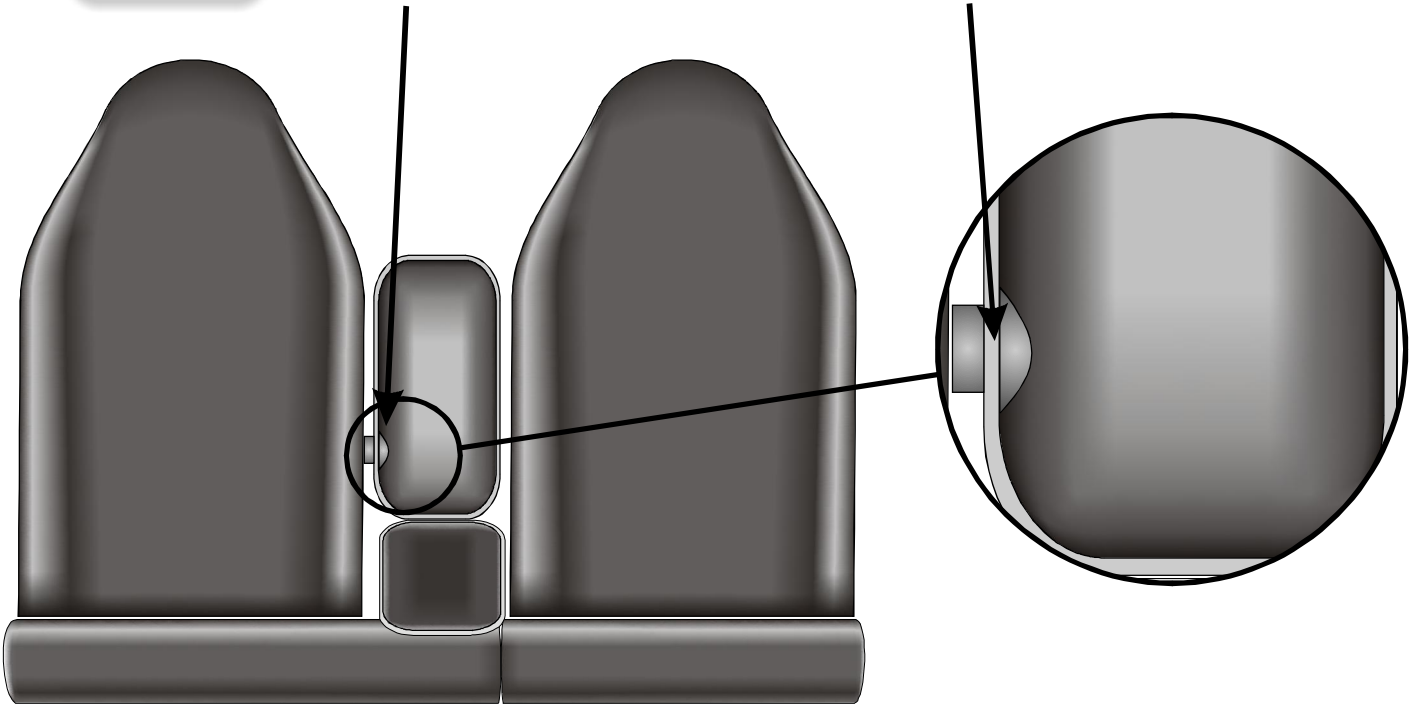


Dear Customer,

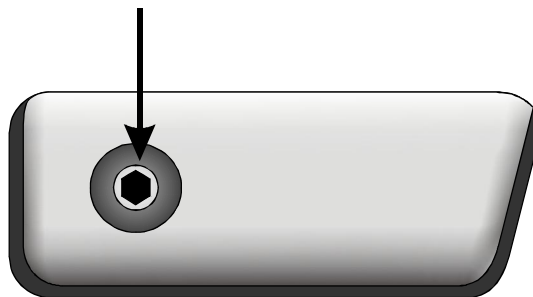
As we are unable to assist you on installing your Wet Okole Hi. Waterproof sport seat covers we offer these special instructions. This particular instruction is a universal instruction for Ford Ranger. Mostly all other vehicles are self explanatory. Any problems please feel free to call for technical support at 1(888)24-Okole. Enjoy your Wet Okole Hawaii Seat Covers!

Seat from
back view.

Step 1 Open armrest and remove plastic cover with a small flat screwdriver.



Step 2 After plastic cover is removed with a T-50 Torx head wrench remove bolt.



INSTALLATION QUESTIONS

TECHNICAL ASSISTANT HOT-LINE CALL TOLL FREE 1(888) 24-OKOLE
MONDAY-SATURDAY 8:00 A.M.-4:30 P.M. PACIFIC TIME.