



Dear Customer,

# INSTRUCTION SHEET (z)

## Toyota Tacoma extra cab Rear Jump Seats



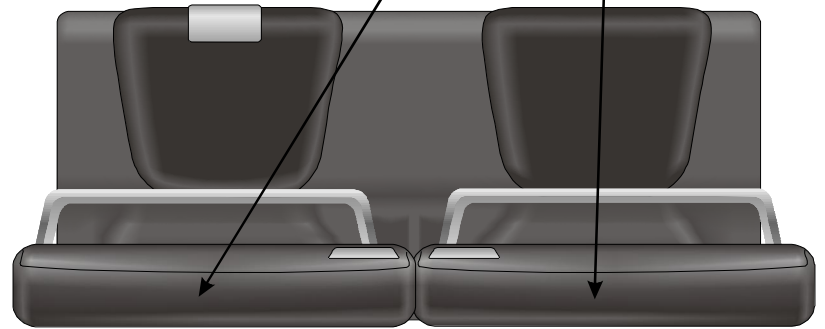
As we are unable to assist you on installing your Wet Okole Hi. Waterproof sport seat covers we offer these special instructions. This particular instruction is a universal instruction for Toyota Tacoma rear bench. Mostly all other vehicles are self explanatory. Any problems please feel free to call for technical support at 1(888)24-Okole. Enjoy your Wet Okole Hawaii Seat Covers!



### Step 1

Fold both seat cushions forward and slip seat cover over cushion and attach velcro.

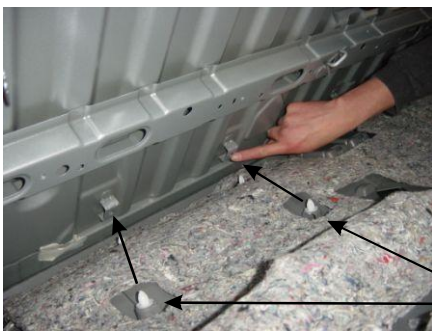
Note: Tuck cover underneath plastic.



Note : Rear plastic rest may need to be removed from vehicle to allow easy seat cover installation.

### Step 2

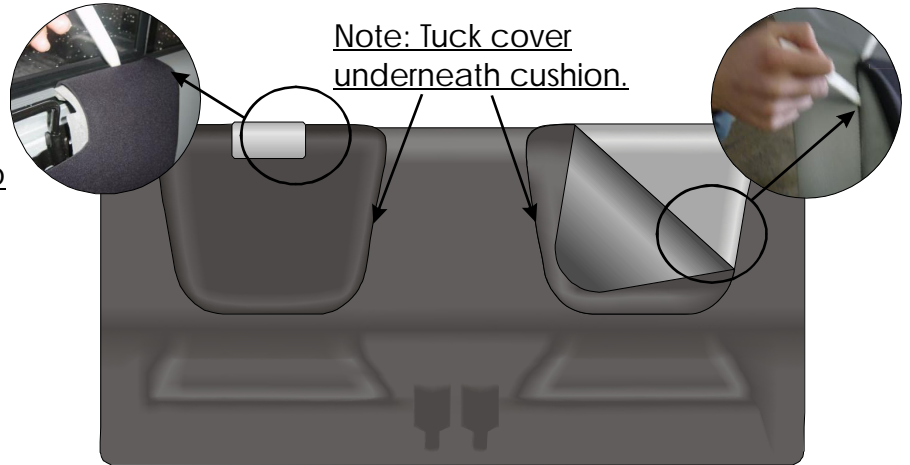
Next: With a pair of dull plastic pry tools or a pair of butterknives pry the rest cushion up with one tool and tuck seat cover under rest cushion with the other.



Plastic Clip

Note: Backrest panel may be removed by pulling panel off of rear cab, there are 6 plastic plugs on the back of the panel that snap into the rear firewall of the cab.

Note: Tuck cover underneath cushion.



## INSTALLATION QUESTIONS

TECHNICAL ASSISTANT HOT-LINE CALL TOLL FREE 1(888) 24-OKOLE  
MONDAY-SATURDAY 8:00 A.M.-4:30 P.M. PACIFIC TIME.