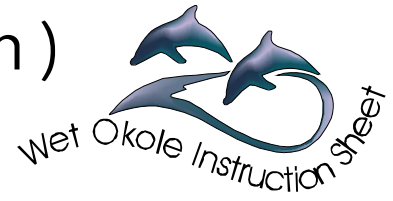




INSTRUCTION SHEET (n)

Toyota Echo 2 door (rear solid bench)



Dear Customer,

As we are unable to assist you on installing your Wet Okole Hi. Waterproof sport seat covers we offer these special instructions. This particular instruction is a universal instruction for Toyota Echo rear bench. Mostly all other vehicles are self explanatory. Any problems please feel free to call for technical support at 1(888)24-Okole. Enjoy your Wet Okole Hawaii Seat Covers!

Step 1

In order to install your Wet Okole seat-covers the rear backrest must be removed, and prior to removing the backrest you will need to remove the bottom seat cushion to gain access to the backrest anchor bolts. (Refer to illustration.)

Note: on all 4 door models the backrest folds down. All 2 door models refer to Step 2.

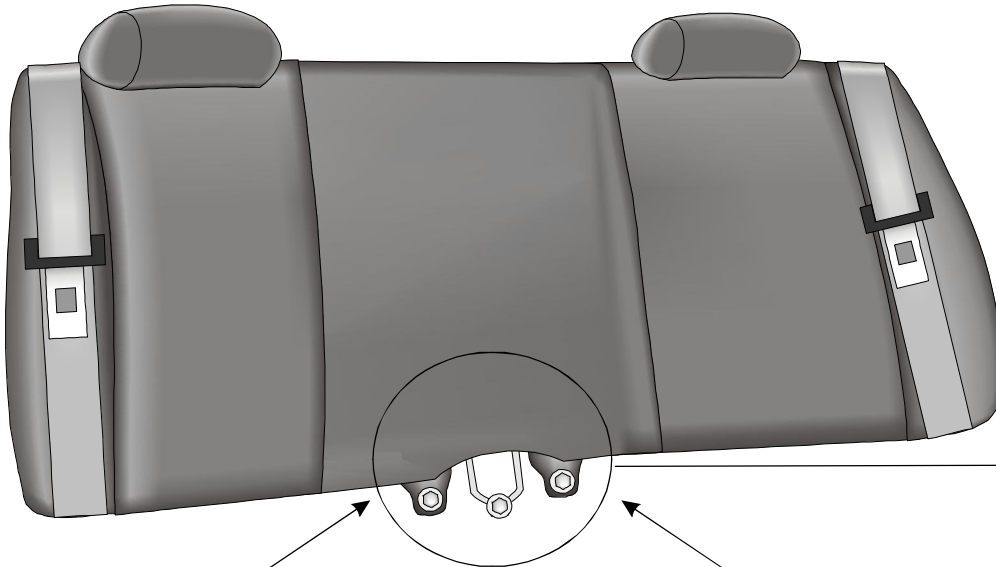


To remove bottom seat cushion push back and pull upward firmly with both hands from front of seat cushion.

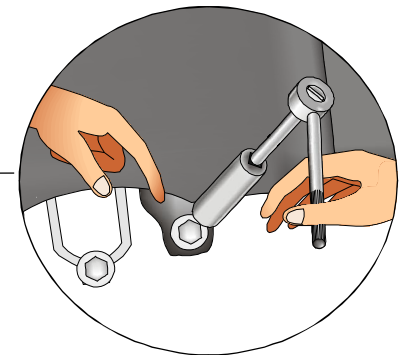
Push forward and pull straight up at same time to release seat bottom.

Step 2

Next, remove backrest by removing the (3) anchor bolts located at the center base of the backrest with an appropriate size socket and ratchet driver.. (Refer to illustration.)



(2 Door Models Only)



MADE IN USA

by
**WET
OKOLE**
HAWAII

INSTALLATION QUESTIONS

TECHNICAL ASSISTANT HOT-LINE CALL TOLL FREE 1(888) 24-OKOLE
MONDAY-SATURDAY 8:00 A.M.-4:30 P.M. PACIFIC TIME.