



TUNDRA 2002-Current Dodge Ram
Rear Bench/1999-Current Toyota Tundra

Dear Customer,

As we are unable to assist you on installing your Wet Okole Hi. Waterproof sport seat covers we offer these special instructions. This particular instruction is a universal instruction for Dodge Ram/Toyota Tundra rear bench. Mostly all other vehicles are self explanatory. Any problems please feel free to call for technical support at 1(888)24-Okole. Enjoy your Wet Okole Hawaii Seat Covers!

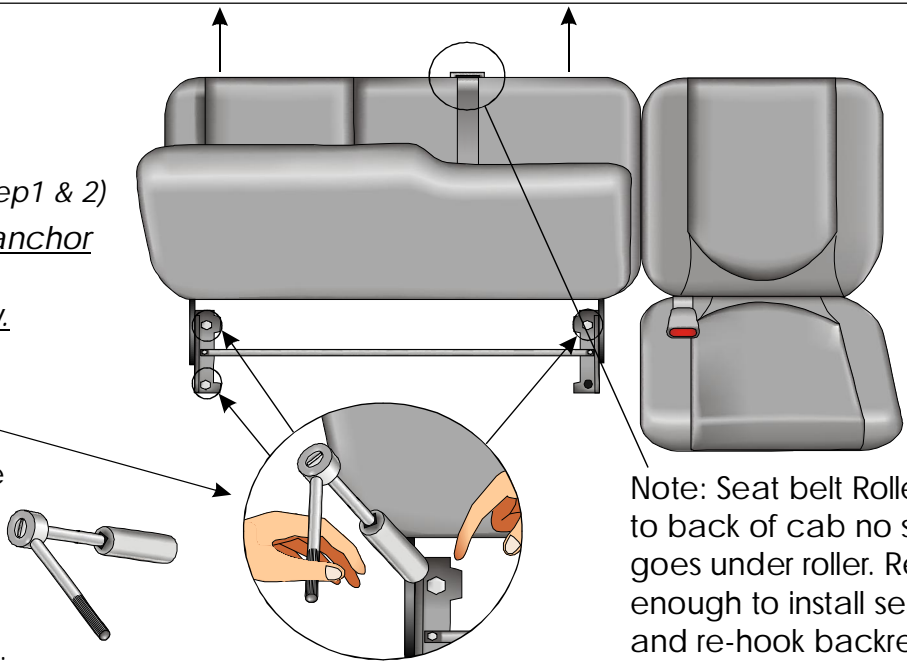
Note: Rear seat removal is required prior to seat-cover installation.
 (Refer to illustration step1 & 2)
Toyota Tundra has anchor bolts located on outboard sides only.

Step 2

After the anchor bolts are removed lift entire seat and backrest off of hinge and install seat-covers..

Step 1

First remove the three anchor bolts located at the base of the floorboard with the appropriate size socket and extension.



Note: Seat belt Roller is attached to back of cab no seat. Seat cover goes under roller. Remove rear seat just enough to install seat-cover on backrest and re-hook backrest to rear firewall.

Step 3

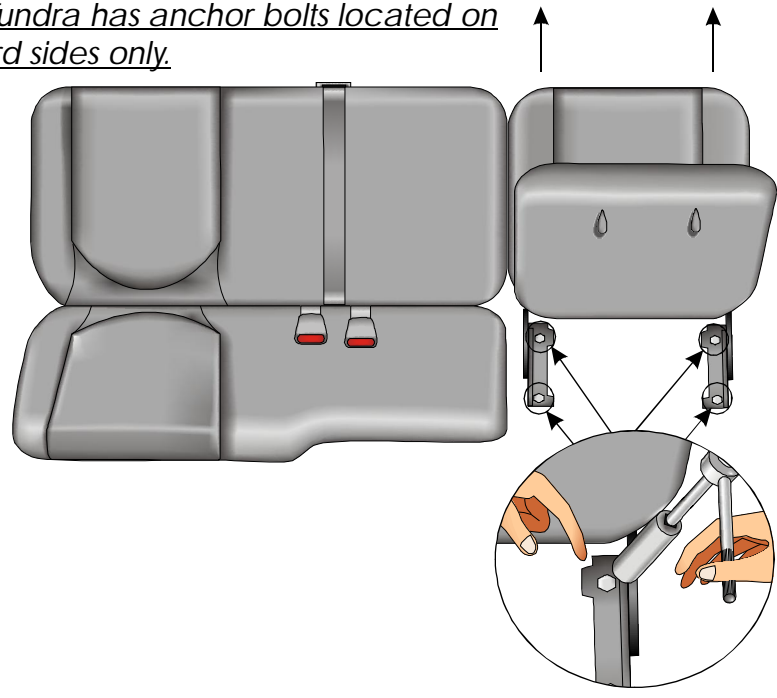
Next, it is time to install your seat-covers on the drivers side rear seat portion. Fold the bottom seat up against the backrest and remove the four anchor bolts located in the following illustration.
 (Refer to illustration)

Toyota Tundra has anchor bolts located on outboard sides only.

Note: Remove rear seat just enough to install seat-cover on backrest and re-hook backrest to rear firewall.

Step 4

After the four anchor bolts are removed lift backrest off of hinge and install your seat covers.



INSTALLATION QUESTIONS

TECHNICAL ASSISTANT HOT-LINE CALL TOLL FREE 1(888) 24-OKOLE
 MONDAY-SATURDAY 8:00 A.M.-4:30 P.M. PACIFIC TIME.