



INSTRUCTION SHEET (j)

2003- Volkswagen Bug Convertible

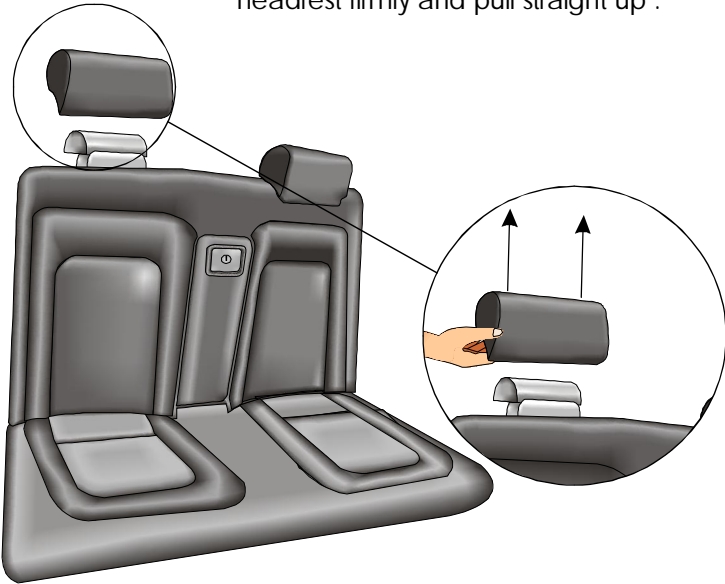


Dear Customer,

As we are unable to assist you on installing your Wet Okole Hi. Waterproof sport seat covers we offer these special instructions. This particular instruction is a universal instruction for Volkswagen Bug convertible rear bench. Mostly all other vehicles are self explanatory. Any problems please feel free to call for technical support at 1(888)24-Okole. Enjoy your Wet Okole Hawaii Seat Covers!

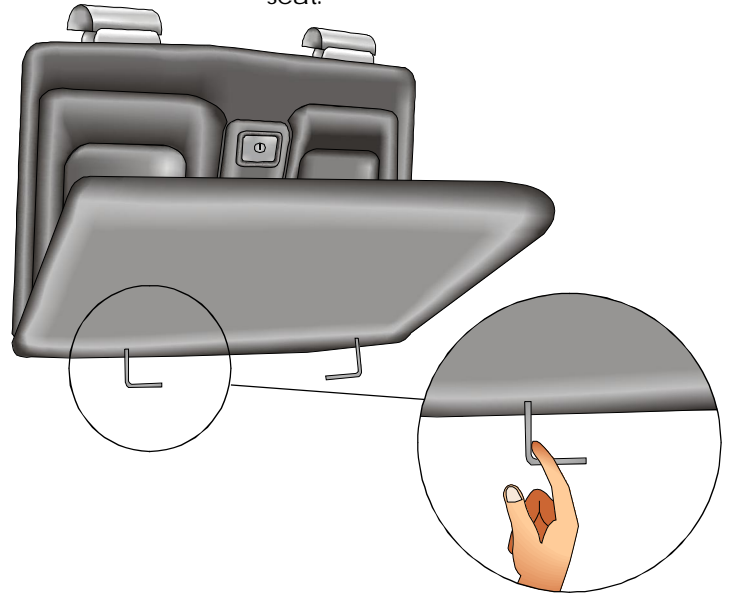
Step 1

Before installing your Wet Okole seat covers both headrest need to be removed. Both headrest pull off the top roll bars just grab headrest firmly and pull straight up .



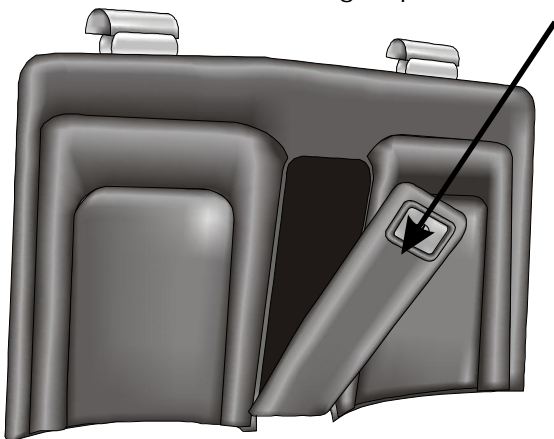
Step 2

Next, lift up seat bottom from the front and pull out wire supports and remove seat.



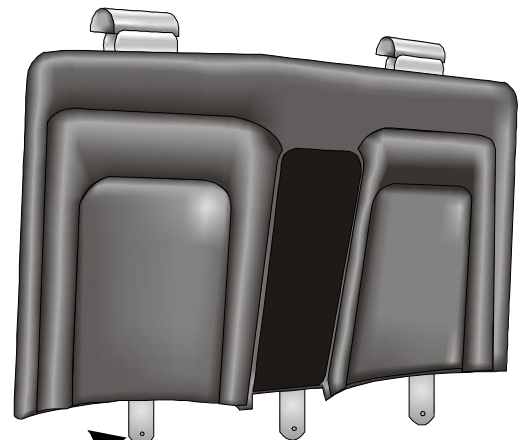
Step 3

Next, pull out door located in backrest center then pull straight up to detach door.



Step 4

Next, remove allen screws at the base of the backrest with the appropriate allen wrench and remove backrest and install seat covers. Reverse this 4 steps after seat covers are installed.



INSTALLATION QUESTIONS

TECHNICAL ASSISTANT *HOT-LINE* CALL TOLL FREE 1(888) 24-OKOLE
MONDAY-SATURDAY 8:00 A.M.-4:30 P.M. PACIFIC TIME.